

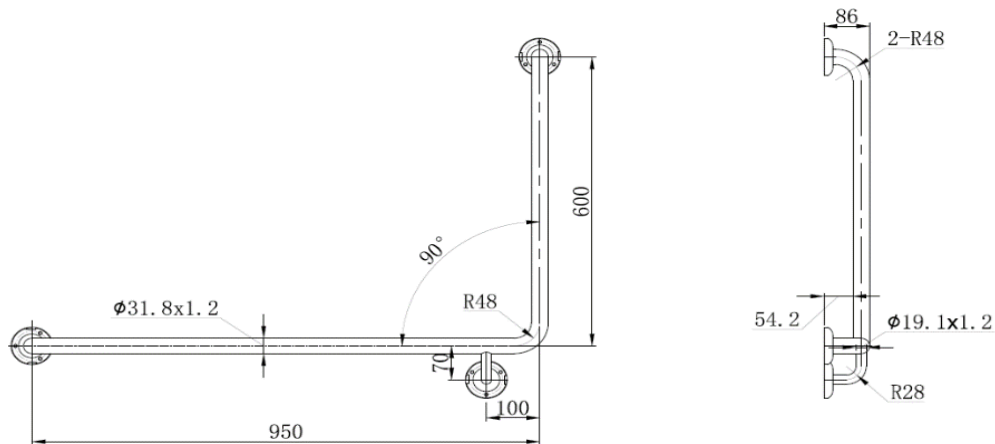
MOBI CARE 950x600mm GRAB RAIL

SPECIFICATIONS



Left Hand
TP GRAB956L
TP GRAB956L-MK

Right Hand
TP GRAB956R
TP GRAB956R-MK



Available in Chrome or Matte Black Finish
Left or Right Hand Available (When sitting on Toilet)

304 Grade Stainless Steel
Complies with AS1428.1 requirements

WARRANTY INFORMATION:

2 Year Replacement Parts or Product
All products have a full 1 year in house labour warranty from date of purchase (Excluding Seat and Hinges)

ZENMO
Zen-inspired, Modern Living

ADDRESS: 42 Castro Way, Derrimut VIC 3026

PHONE: (03) 8390 6300

OFFICE: ect_sales@outlook.com

SERVICE: ect_service@outlook.com

WEBSITE: www.zenmo.com.au